



DYLOG DYXIM

X-RAY INSPECTION MACHINE

english



SUITABLE FOR
**DETECTION OF
CONTAMINANTS**
INSIDE **BAG IN BOX,**
METALLIZED POUCHES,
TRAY AND CARTON
APPLICATION, BULK
PRODUCT



Dylog, the world's leading manufacturer of automatic X-ray based rigid container inspection systems for the food industry, provides a full range of x-ray equipment to cover any type of food packaging, including flexible packages and bulk product.

DYXIM FB is a compact and economic system which automatically inspects packaged products at full production speeds, identifying foreign bodies and rejecting the contaminated packs from the production line. **DYXIM FB** can detect contaminants such as metal, glass, stone, bone, seafood shells, ceramics and some kinds of plastic (PVC). **DYXIM FB** is also used for checking missing or broken products, for mass checking and for detection of non conforming shape.

The great range of typical applications includes:

- Convenience food
- Fresh & frozen food
- Pharmaceuticals
- Health food
- Bulk product

In most cases the ideal stage to perform inspection is after packaging.

The package type can be: bag-in-box, vacuum packaging, metallized pouches, tray and carton applications (such as babyfood, cakes, meat, pizza, vegetables, seafood, soap,...)

The special features of **DYXIM FB** include:

- High sensitivity X-ray sensor with low energy requirements
- Two detector resolutions are available to suit specific applications
- Advanced image processing software ideal for soft packaged and bulk food. Software for missing products and mass detection is optional
- Graphic user friendly interface for easy set-up system parameters, based on Win NT technology
- High line speed capability : inspection of products up to 70 m/min.

DYXIM FB includes a separate conveyor which rolls out of the cabinet on wheels. Therefore, the system can be supplied without the conveyor for use on the existing one.

ADVANTAGES OF DYXIM FLAT BED

LOW AND HIGH POWER CONFIGURATIONS

EASY TO INSTALL AND TO USE

LIMITED MAINTENANCE

CAN USE EXISTING CONVEYORS

WINDOWS NT PLATFORM

REMOTE CONTROL ACCESS

LOW COST

DYLOG®

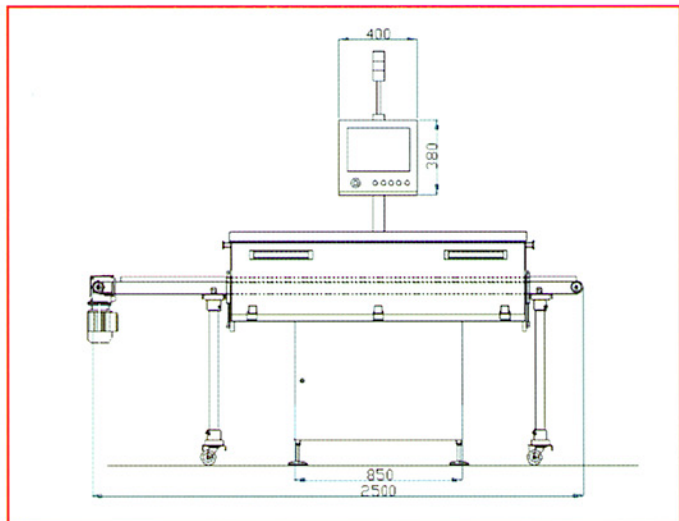
HI TECH DEPARTMENT

DYLOG ITALIA S.p.A. - Corso Bramante, 53 - 10126 Torino - Italy
Tel. +39.011.6938.406 - Fax +39.011.6938364

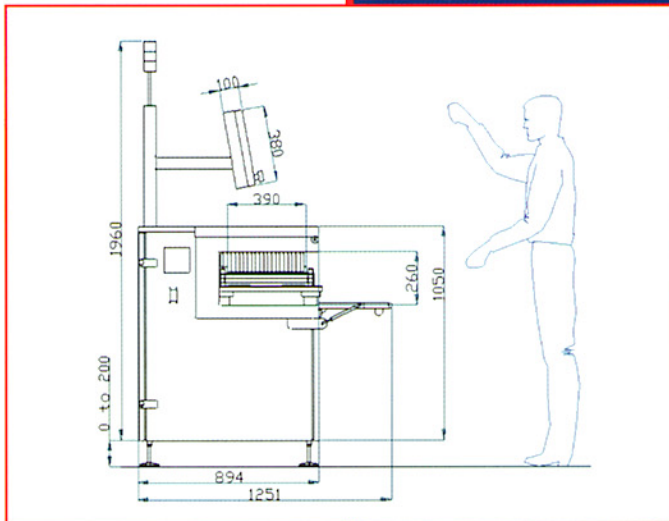
INTERNET
www.dylog.it
hitechsales@to.dylog.it

DYLOG DYXIM

X-RAY INSPECTION MACHINE



FRONT VIEW



SIDE VIEW



TECHNICAL SPECIFICATIONS

Environment	Stainless steel, temperature 0° C to 40° C, humidity 0 to 90% RH
Dimensions of inspectable products	Standard 350 x 200 mm (W x H)
Belt width	Standard 380 mm (15"), any configuration possible
Conveyor speed	Up to 70 m/min
Conveyor length	Standard 2500 mm (98,42"); 1900 mm (74,80") and 2200 mm (86,6") available as option
Protection level	IP 65 - NEMA 4X upon request
Processor	Industrial PC, latest generation Pentium
Pre - processing and control unit	Dylog Dyxim board
Monitor	High contrast 15" LCD colour monitor and touch screen
X-ray sensor	Linear array, resolution from 0.4 to 0.8 mm, modular length, in-house technology
X-ray generator	Available from 250 W to 500 W
Rejection	Up to 4 lanes
Dimensions	2500 x 894 x 1960 mm (98,42" x 35,20" x 77,16") (W x L x H)
Power consumption	3 kW max
Voltage	220 V ac
Frequency	50/60 Hz

Your Local Sales Representative